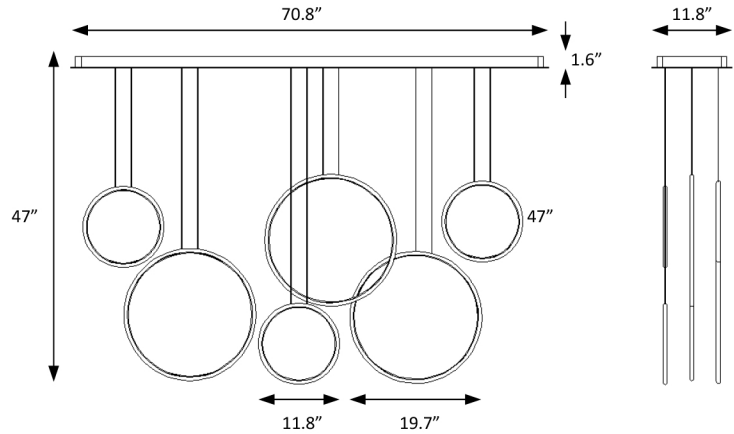
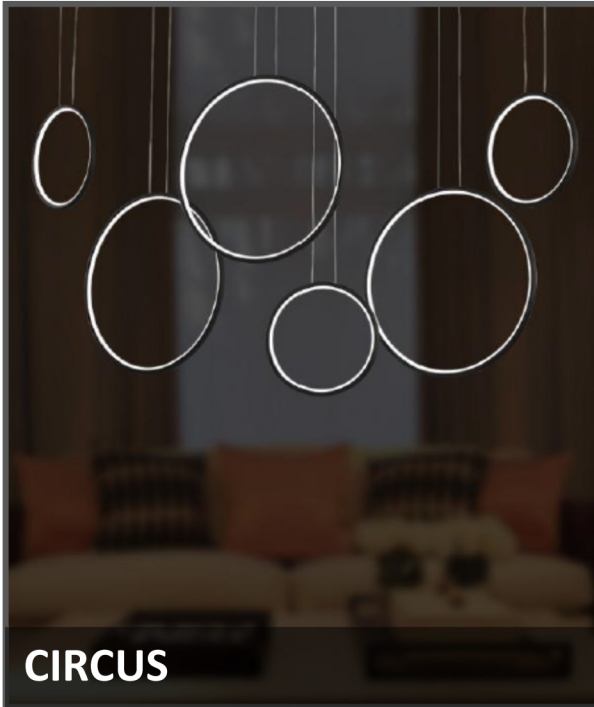


Catalog #		Type
Project		
Comments		Data
Prepared By		



ORDERING INFORMATION

DZ-LC-011-AC14-BDL08	SIZE	FINISH	CCT	ELECTRICAL	OPTIONS
	L x H: 70.8" x 47"	1 - Black	3 - 3000K	1 - 120V	1 - TRIAC Dim
		2 - White	4 - 4000K	2 - 277V	2 - 0 - 10V
		3 - Custom	5 - 5000K		
			6 - 6000K		

SPECIFICATIONS

DIMENSIONS

Height: 47" Max adjustable
 Minimum Height: 6"
 Diameters: \varnothing 19.7" & \varnothing 11.8"

FINISH

Matt black
 Optional: White available on request

ELECTRICAL

Input Voltage: 120V
 Wattage: 130W
 Light Source: Solid State Integral LED
 Color Temp. (CCT): 3000K - 6000K
 Lumen Output: 9490 lm
 Dimming Type: TRIAC / ELV . (0-10V available on request)