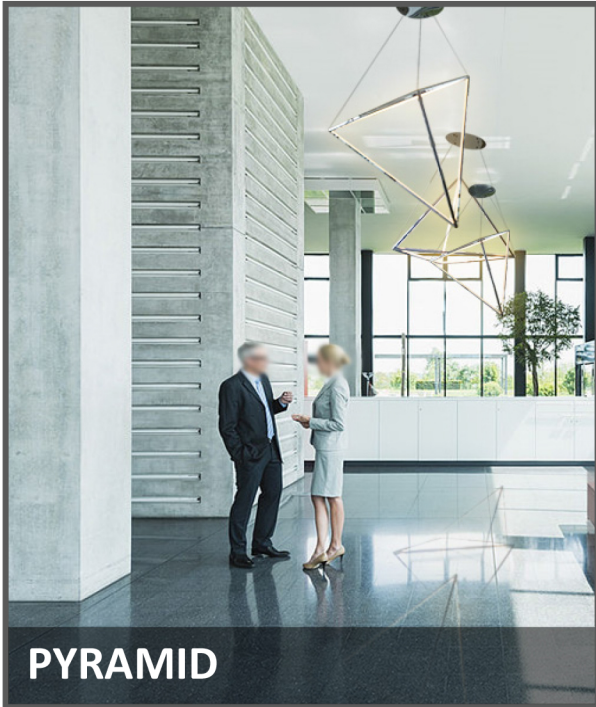
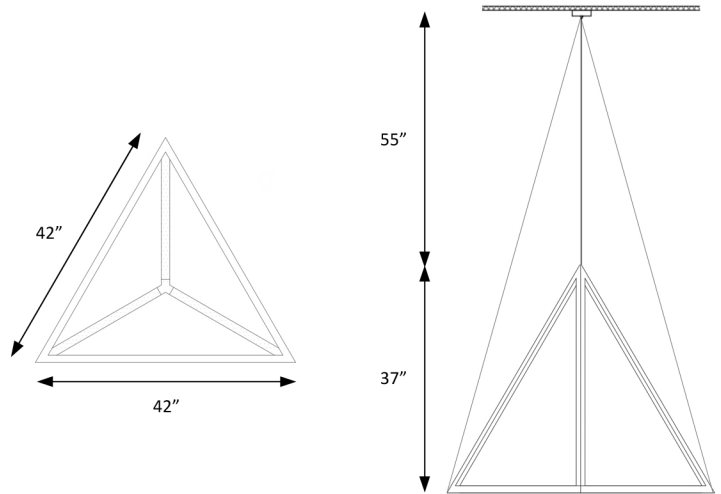


Catalog #		Type
Project		
Comments		Data
Prepared By		



At the intersection of form and function, LED pendant that expresses a modern tranquility while providing direct, energy-efficient illumination. The LED is offered in 3000k / 4000k and 5000k (2700k LED available by special order only). The pyramid structure is available in polish chrome, black chrome or special order rose gold finish.



## ORDERING INFORMATION

DZ-LT06	SIZE	FINISH	CCT	ELECTRICAL	OPTIONS
	L x H: 42" x 37"	Chrome	3 - 3000K 4 - 4000K 5 - 5000K 6 - 6000K	1 - 120V 2 - 277V	1 - TRIAC Dim 2 - 0 - 10V

## SPECIFICATIONS

### DIMENSIONS

Height: 55" Max adjustable  
Minimum Height: 6"

### FINISH

Chrome

### ELECTRICAL

Input Voltage: 120V  
Wattage: 144W  
Light Source: Solid State Integral LED  
Color Temp. (CCT): 3000K - 6000K  
Lumen Output: 11230 lm  
Dimming Type: TRIAC / ELV . (0-10V available on request)