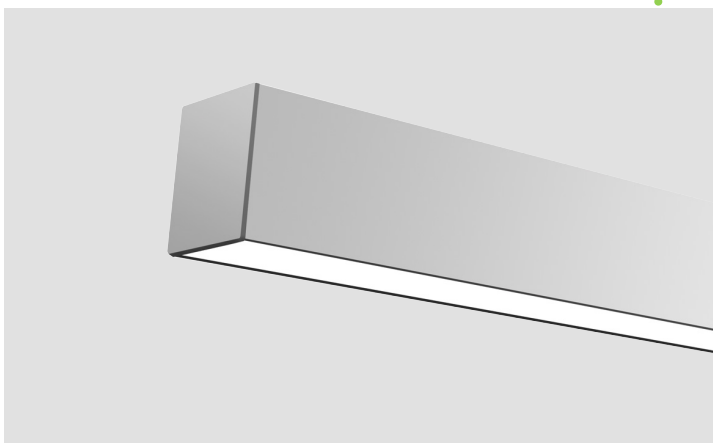


Catalog #	Type
Project	
Comments	Date
Prepared by	

Description

Introducing our innovative Linear Light – a cutting-edge lighting solution that seamlessly combines form and function. Engineered to endure the elements, this fixture is meticulously crafted to thrive in environments where moisture and water exposure are common challenges. Designed to make a statement, this minimalistic linear LED connects with other linear pendants using a line joiner to create a continuous run of light. Its deep regressed lens evenly distributes glare-free light that is easy on the eyes for longer day-to-day use.

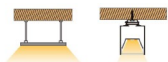
Product Specification	
Mode	IL-L8989-A90
CCT	3000K/4000K/6000K (3500K , 5000K)
Wattages	90W (11.3W/ft)
Lumens	9713-10300 lm(1214-1288 lm/ft)
Dimension	(4.06ft) X 3.58" X 3.58" (8.06ft) X 3.58" X 3.58"
Input Voltage	120-277VAC/50-60Hz
Beam Angle	106°(PDM)
Dimming	0-10V, TRIAC
Operating temperature	-30°C~+45°C
IP	IP165
CRI	80+/90+
Finish	White, Black, Grey, Custom
Certification	ETL Listed
Warranty	5 years



Certification Information



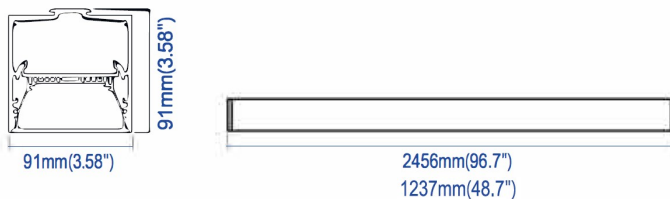
3000K 4000K 5000K 6000K



Features

- Aluminum 6063, good heat radiation with long lifespan;
- Waterproof Ip66;
- Anti-collision level Ik1 O;
- Support 0-1 0V, PWM and Resistor dimming solution;
- High lighting efficiency, save energy;
- Long lifespan, ;;;,50000 hours;
- Light source adopts LM-80 certified LED;
- Adopt UL Class P certified power supply;

Dimension

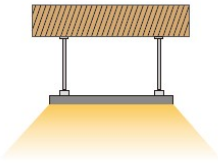


ORDERING INFORMATION

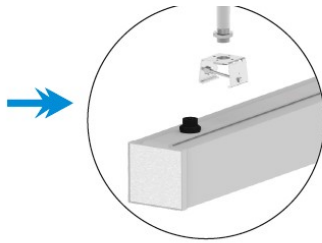
ITEM NUMBER	Lengths	Wattages	Lumens	Input Voltage	CCT	Dimming	Finish
IL-L8989-A90	4ft	90W (11.3W/ft)	1288 lm/ft	120-277VAC/50-60Hz	3000K	0-10V, TRIAC	White
					3500K		Black
	8ft	4000K	Grey				
		5000K	Custom				
		6000K					

Due to continuous improvements, the information herein may be changed without notice

ACCESSORIES



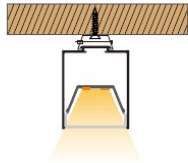
• Pendant



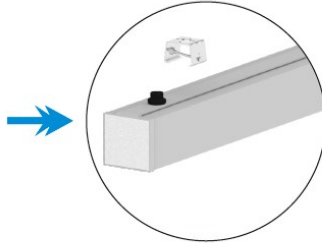
L8989-PT



Ac in line



• Ceiling mounted



L8989-SM

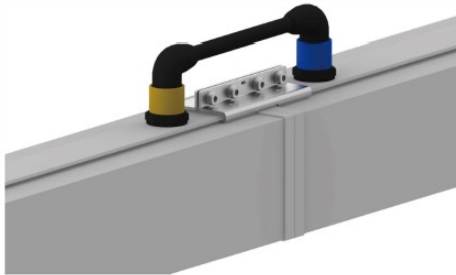


Ac in line

L8989-PT: Pendant set

L8989-SM :Surface mounting accessories

Ac in li ne: AC input cable



• Connection



L8989-180

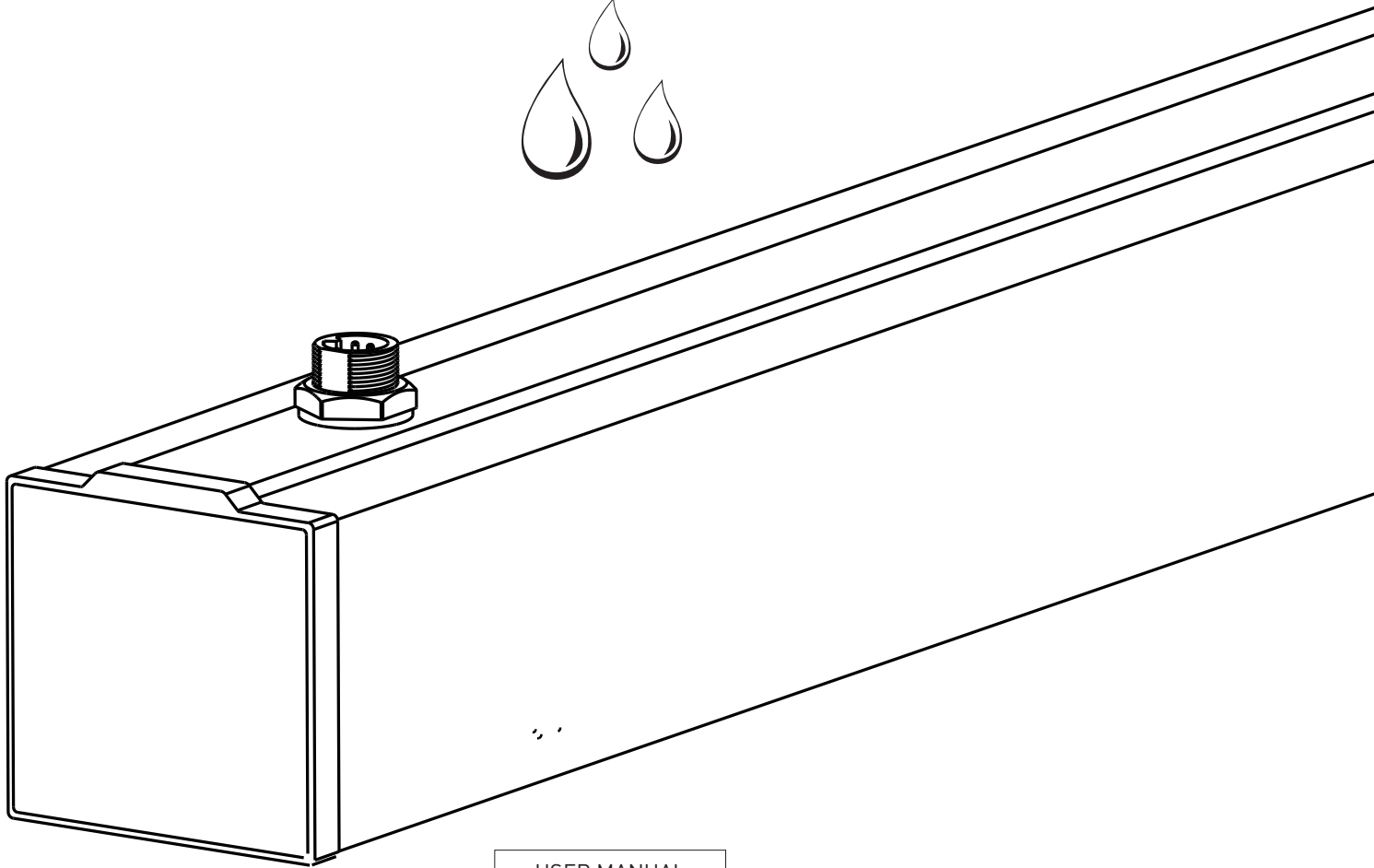


L8989-CH

L8989-180: straight connector

L8989-CH: electric connection cable

LED LINEAR LIGHT FIXTURE IP67 Waterproof



USER MANUAL

Note:

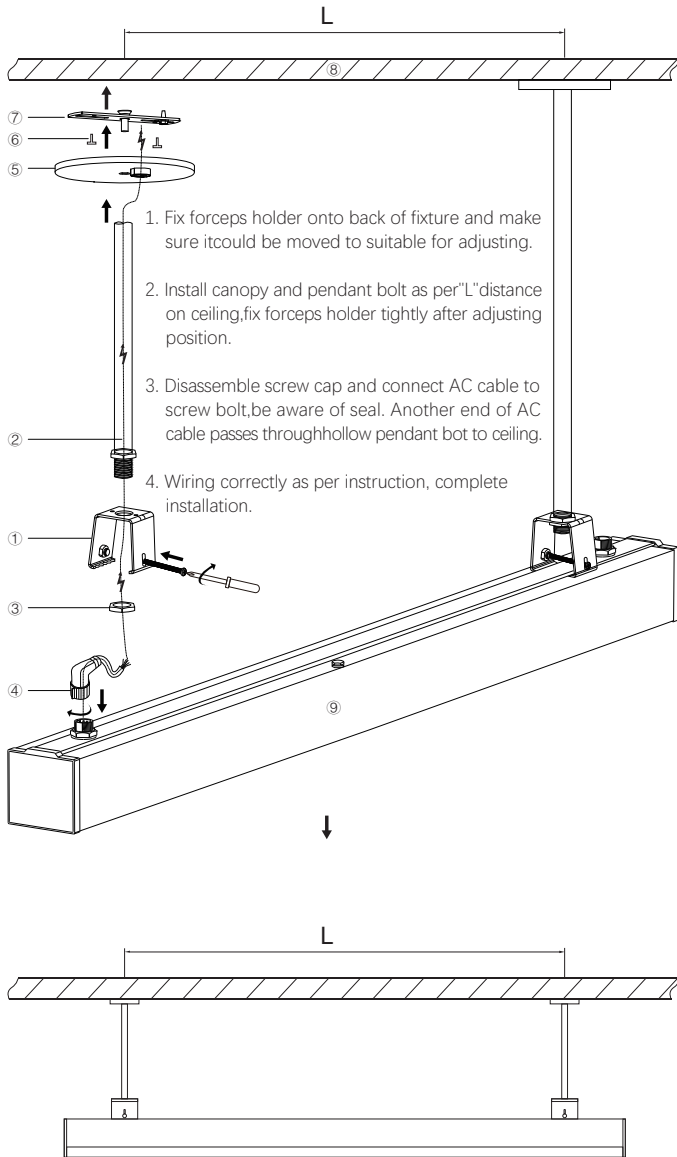
1. Read manuals attentively before installation.
2. Install by qualified electrician, be aware of antistatic factors.
3. Do not electrify it while installation is ongoing.
4. Cut off electricity while installing or removing.
5. The aim is to make sure not to shorten the life time of lighting fixture and keep safety, please do not modify, add or change any component.
6. The fixture is suitable for outdoor applications such as subway station, airport, parking lot, penthouse, building outline and park etc.

1、Pendant-standard



Pendant:

- ① Forceps holder * 2 ② G-3/4" screw thread * 2 (Clients buy it themselves) ③ Nut * 2 (Clients buy it themselves)
 ④ AC cable * 1 Double-hole base * 2 Screw * 4 Fixed bracket * 2 Ceiling
 ⑨ Linear light

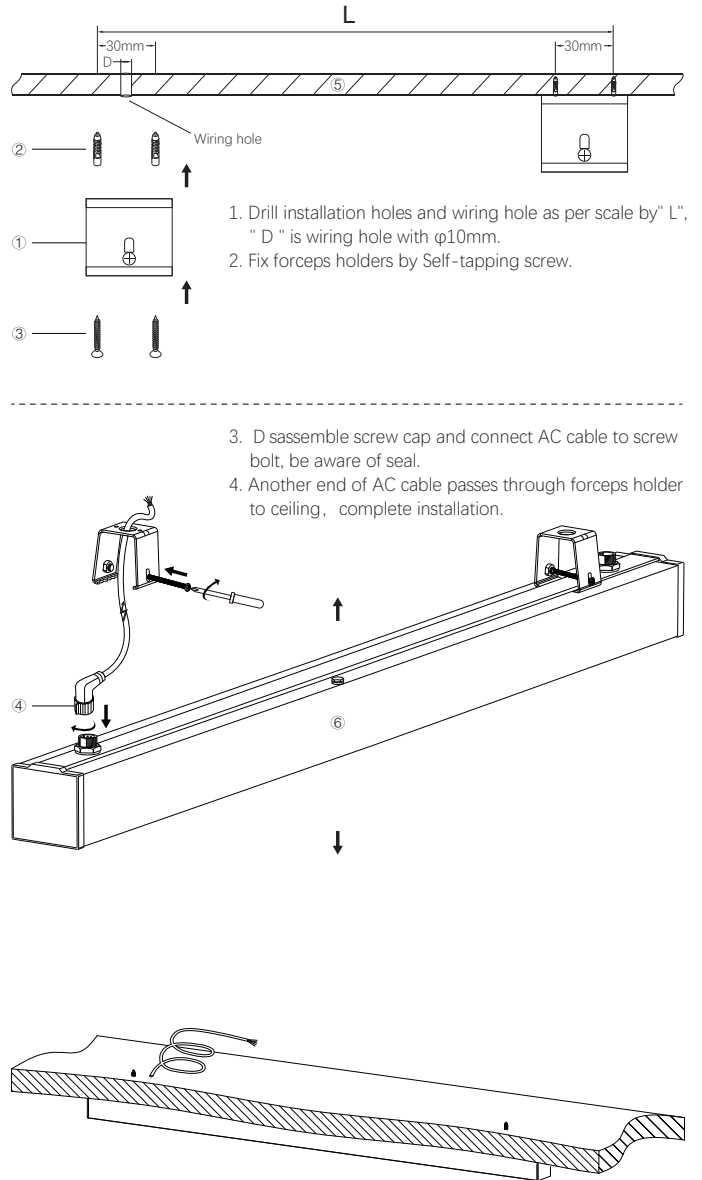


2、Ceiling mounted



Ceiling mounted:

- ① Forceps holder * 2 ② Expansion tube * 4 Self-tapping screw * 4 AC cable * 1
 ⑤ Ceiling Linear light



3、Wall mounted

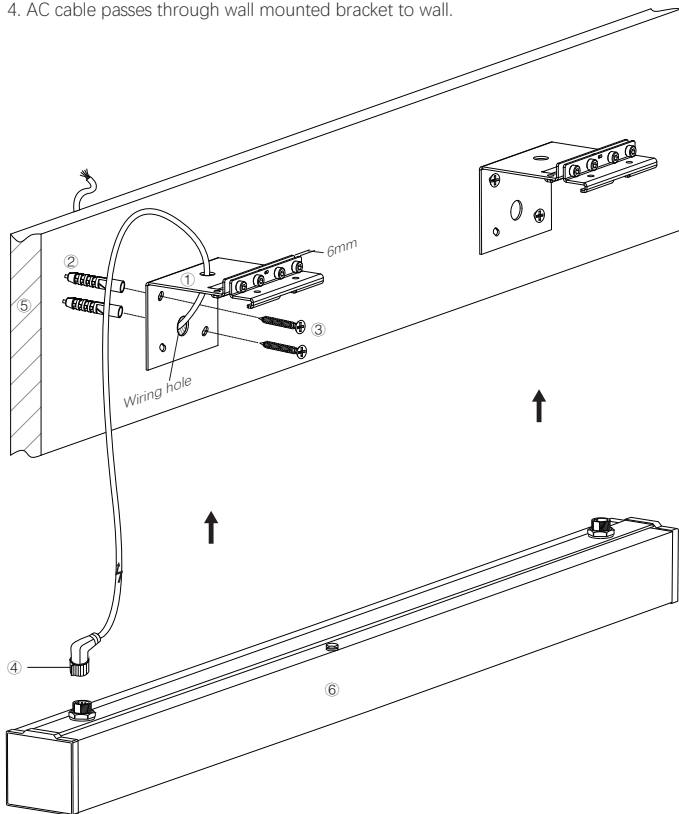


Wall mounted:

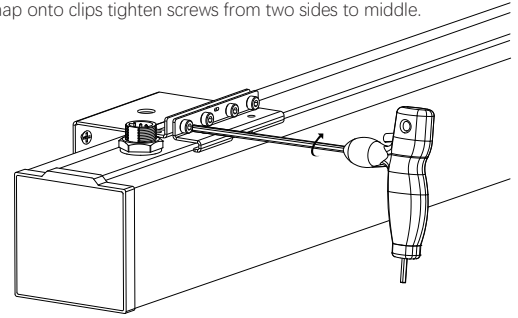
- ① Wall mounted bracket * 2 Expansion tube * 4 Self-tapping screw * 4 AC cable * 1
- ⑤ Wall Linear light



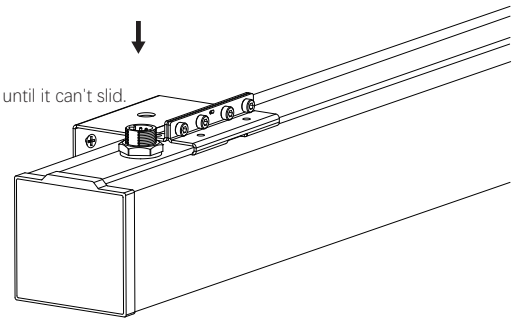
1. Open slot and wiring hole on plasterboard or wood ceiling.
2. Fixed expansion tube.
3. Fix wall mounted bracket onto the wall by self-tapping screw, noted that both clips are unfastened and approximately 6mm gap.
4. AC cable passes through wall mounted bracket to wall.



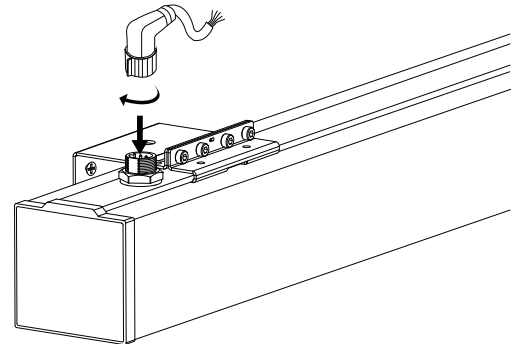
5. Move the fixture and snap onto clips tighten screws from two sides to middle.



6. The fixture is well-fixed until it can't slid.



7. Disassemble screw cap and connect another end of AC cable to screw bolt, be aware of seal.



8. Complete installation.

