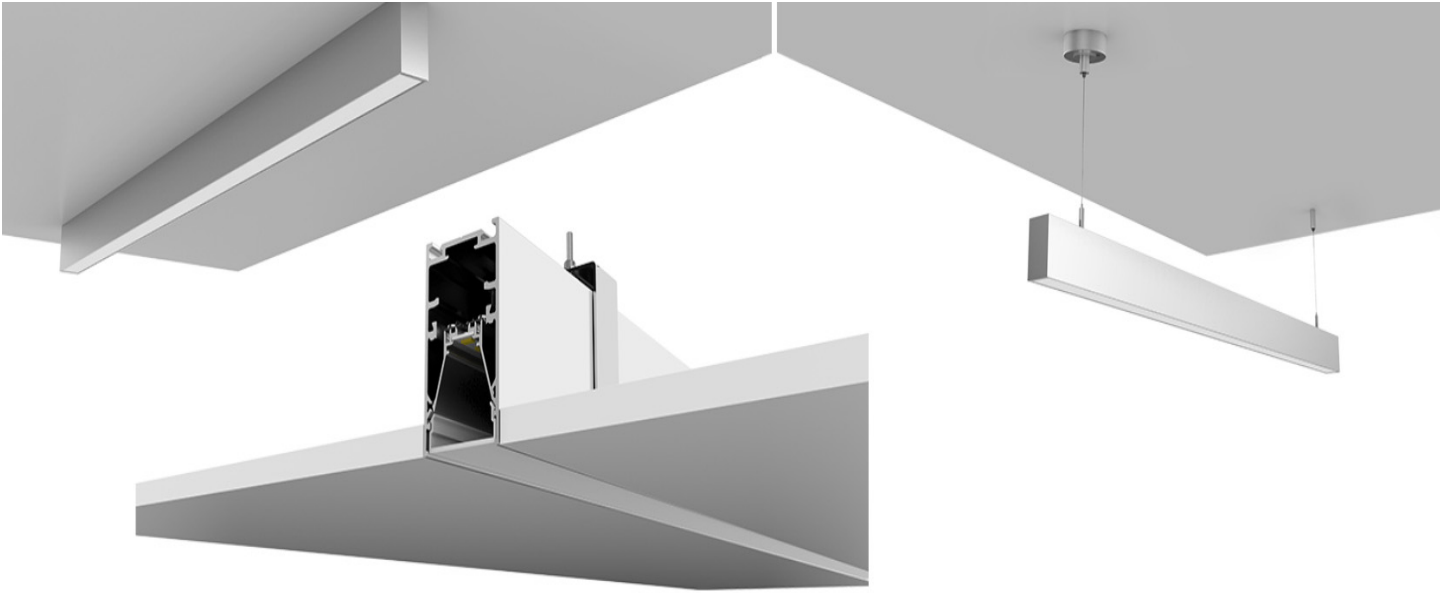


IL-L54266TL

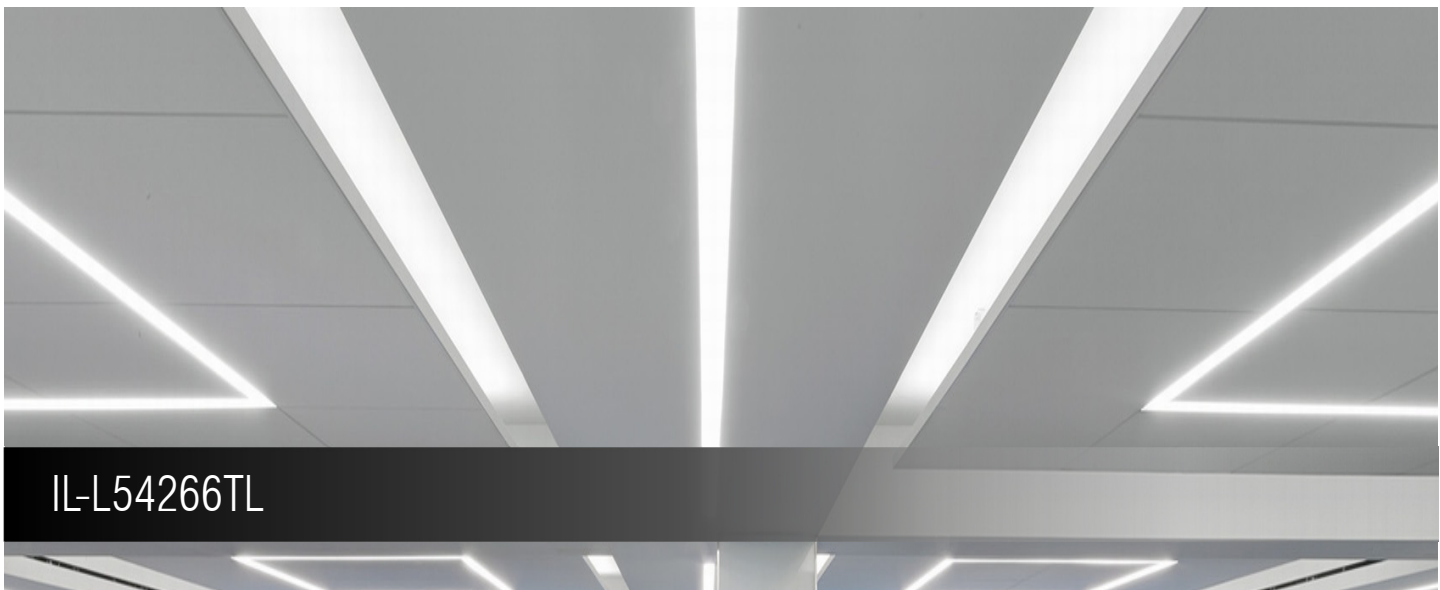
Trimless Version

Continuous Clean Lines and Clean Light

Architectural Linear LED Fixture



Unlimited Design Possibilities

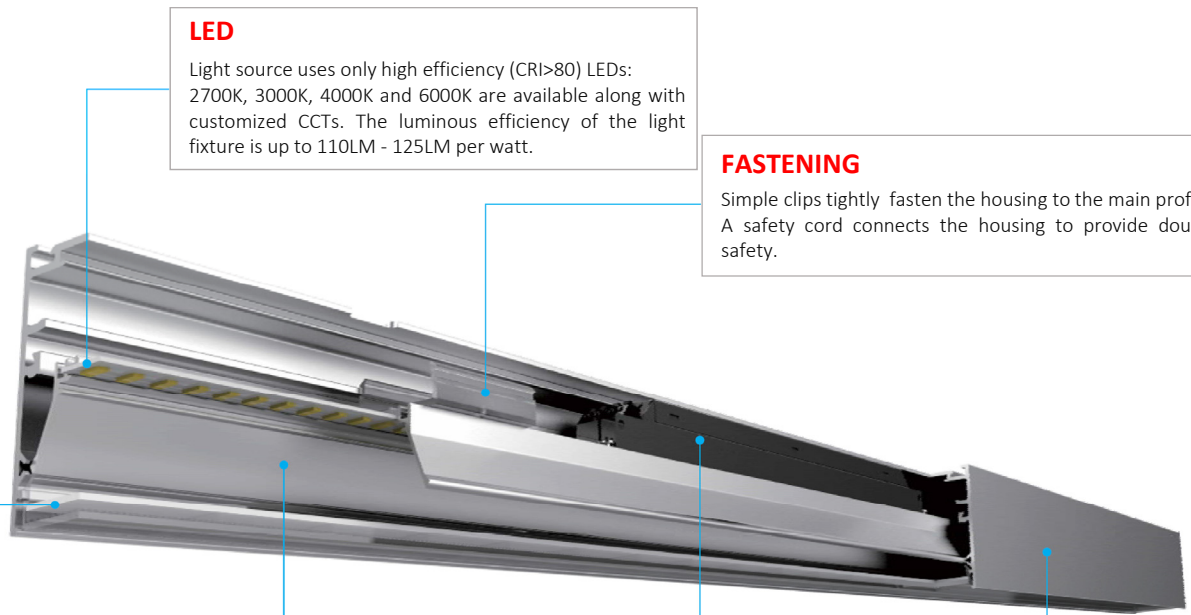


IL-L54266TL

DETAILS

The linear light *Liscio* series has been launched by IMPULSE LIGHTING to achieve different shape designs with easy and quick connection. Those products have re-defined user experience of linear light through modularity design and quick assembly & installation.

It breaks the idea which restricted traditional lighting fixtures and created complicated wiring of old version linear light fixtures. It has achieved "three quicks": quick assembly, quick connection (eliminates complicated wiring) and quick corner connection.



LED

Light source uses only high efficiency (CRI>80) LEDs: 2700K, 3000K, 4000K and 6000K are available along with customized CCTs. The luminous efficiency of the light fixture is up to 110LM - 125LM per watt.

FASTENING

Simple clips tightly fasten the housing to the main profile. A safety cord connects the housing to provide double safety.

COVER

A standard PC cover or a UGR cover to reduce the glare is available.

REFLECTOR

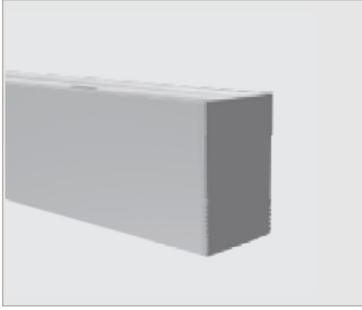
The high reflective coating layer provides a higher lighting efficiency and a more even distribution of light.

DRIVER

Internal 3-in-1 dimmable function, much easier for different applications.

ALUMINIUM FRAME

Modular design provides easier and faster installation experience with the option for pendant, recessed or surface mount.



DESCRIPTION :

The *Liscio* linear light quick connection series is based on concise style and user experience improvement.

Various concise yet fashionable designs can be accomplished quickly through the creative ideas of space lighting designs and free design styles while emphasizing “QUICK” installation. *Liscio* permits the designer to create much better lighting effects than traditional lighting fixtures by revealing the beauty of linear light.

FEATURES :

- *Low glare version available upon request UGR<19 rated.*
- *End caps assembled by mechanical screws and magnet structure.*
- *Lighting CCT/color and CRI could be customized.*
- *Internal 3-in-1 dimming function.*
- *Conform to ETL standard.*
- *Easy assembly/disassembly, customers do not need to do complicated wiring, use male/female connectors to connect electric power and to do free connection to get comfortable user experience.*

Product	IL-L54266TL
Cover	Plain diffusion mask, UGR<19 (Low glare)
Length	1200mm (4ft), 2500mm (8ft)
Installation	Pendant/Recessed/Surface mounted/Wall mounted
Profile Color	Silver/White/Black
CCT (K)	3000K, 3500K, 4000K, 5000K, 6000K±300
Lumen (lm)	1400 lm (4ft), 2850 lm (8ft)
Beam Angle (°)	95° (Plain diffusion mask), 65° (UGR<19 (Low glare))
CRI (Ra)	≥80
Lumen/watt (lm/w)	100±10%
Power Factor	>0.9
Imax (cd)	610 (4ft), 1100 (8ft)
Voltage (V)	AC100-277V 50/60Hz
Input Current (A)	0.05~0.14, 0.1~0.29
Watt (w)	14W (4ft), 29W (8ft)
Using Ambient Temp	Tamin=-20°C,Tamax=45°C

MOUNTING OPTIONS :



PENDANT



SURFACE

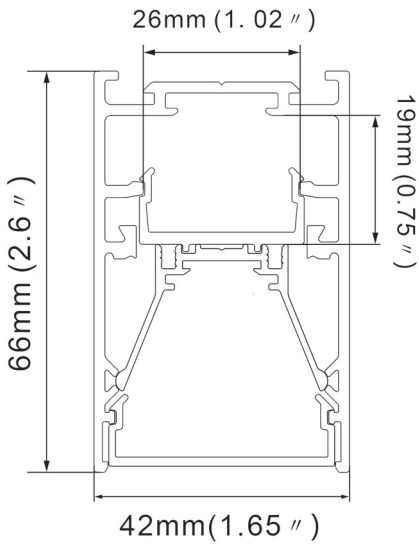


CEILING

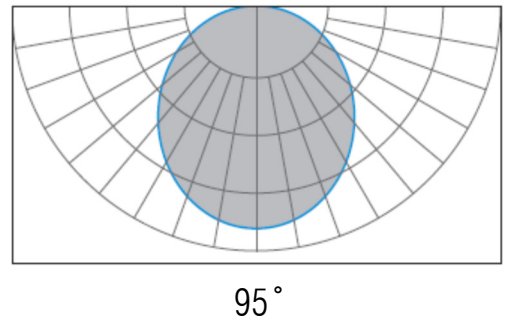


WALL

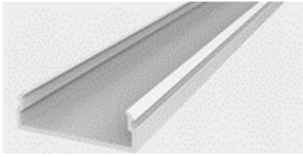
DIMENSIONS :



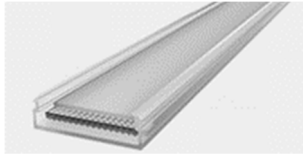
COLOR OPTIONS :



DIFFUSERS & END CAPS



PC cover W15-CV



UGR cover W15-UGR



End cap DE

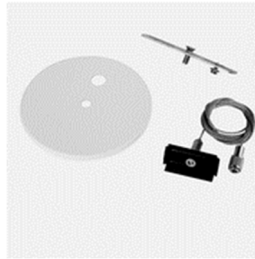
PENDANT, RECESSED & WALL ACCESSORIES



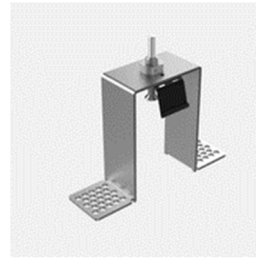
Pendant wire
L-PT



Pendant wire with canopy
L-PTB-NPF



Pendant wire with canopy
L-PTB-PF



Recessed clip
BI

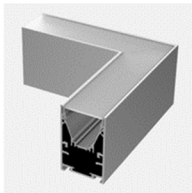


Wall mounted clip
L457-WM

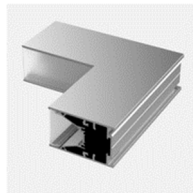
CORNERS & CONNECTORS



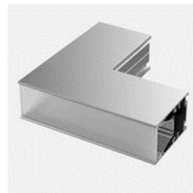
Straight connector
L45-180



Horizontal corner
connector L90



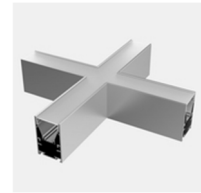
Inside corner
connector L90N



Outside corner
connector L90W



T shape connector
T90



X shape connector
X90

Ordering information:

IL-L54266TL-1-1-1-1-0-1-(1, 4, 5)-1

Series	Mounting	Wattage (Length)	CCT (K)	Voltage	Battery & Emergency Back-Up	Cover	Accessories	Finish
IL-L54266TL	1 = Pendant 2 = Recessed 3 = Surface 4 = Wall	1 = 14W (4ft) 2 = 29W (8ft) 3 = Custom	1 = 3000K 2 = 3500K 3 = 4000K 4 = 5000K 5 = 6000K	1 = 120V 2 = 277V	0 = None 1 = 60 Mins 2 = 90 Mins	1 = Plain diffusion 2 = UGR<19	1 = DE 2 = L-PT 3 = L-PTB 4 = L-PTB-NPF 5 = L-PTB-PF 6 = BI 7 = L457-WM 8 = L45-180 9 = L90 10 = L90N 11 = L90W 12 = T90 13 = X90	1 = Silver 2 = White 3 = Black