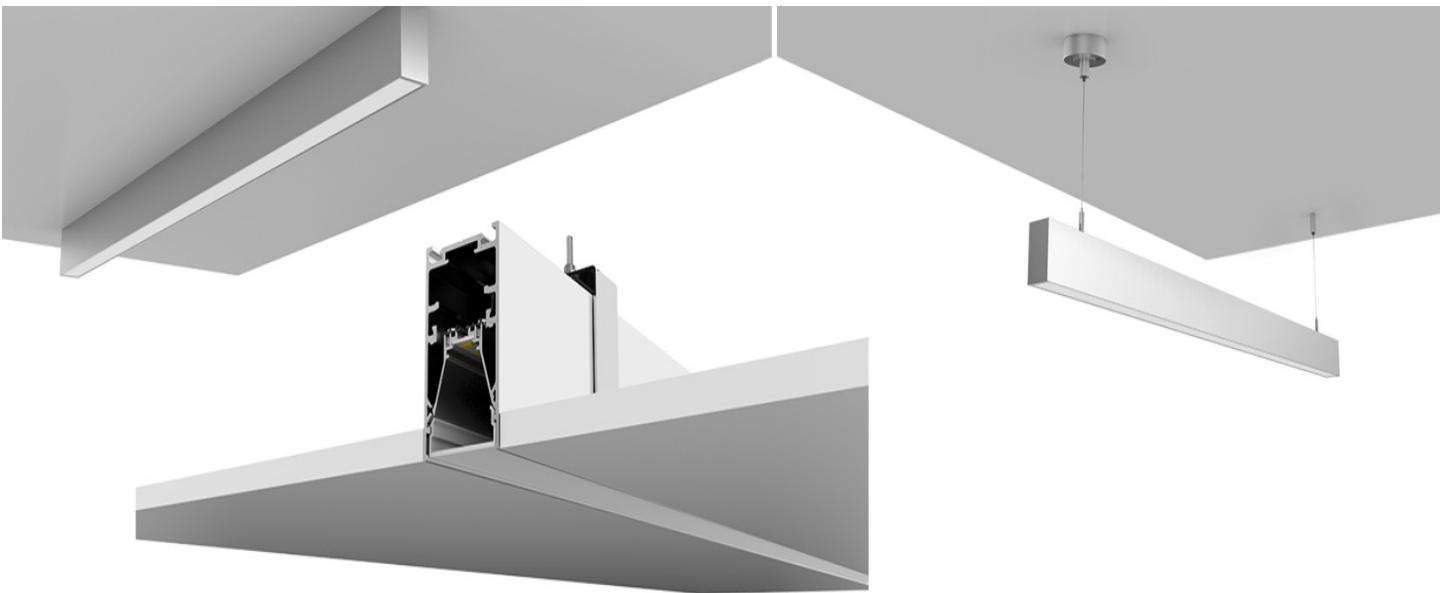


# IL-L55570TL

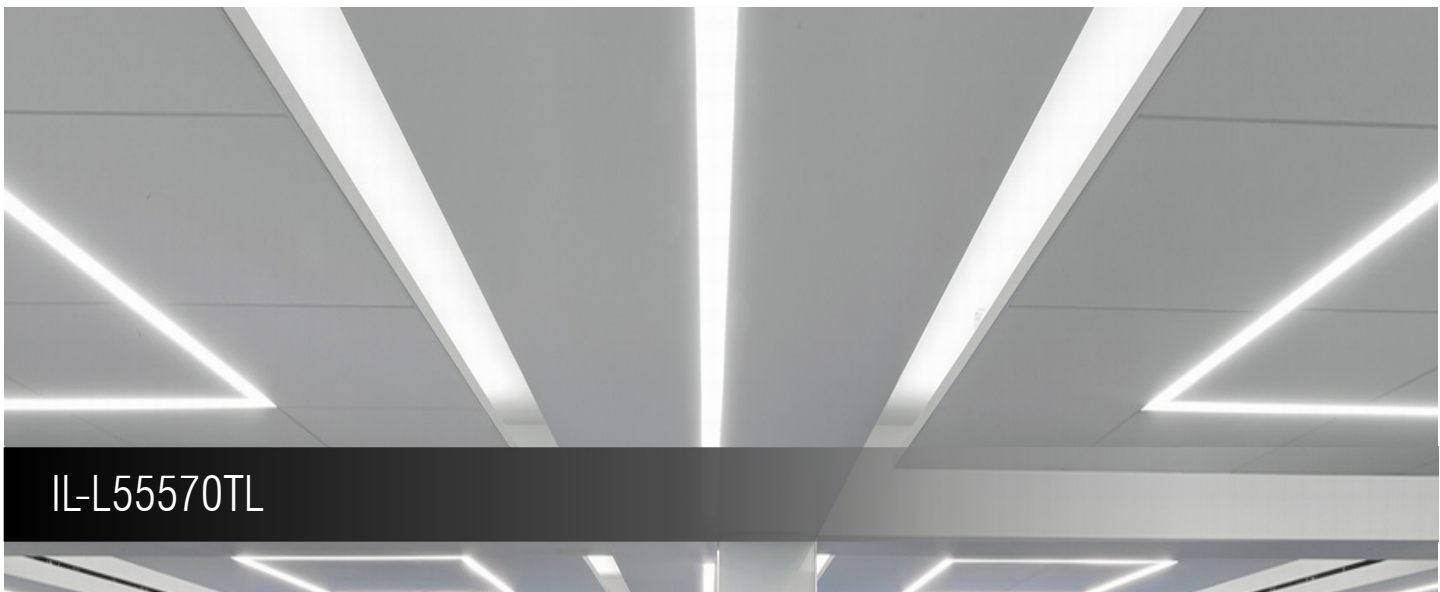
Trimless Version

Continuous Clean Lines and Clean Light

Architectural Linear LED Fixture



Unlimited Design Possibilities



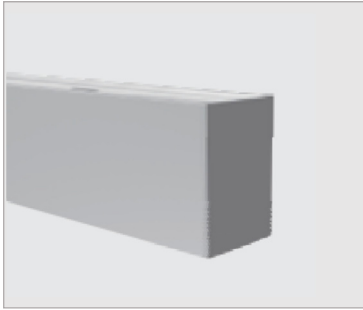
IL-L55570TL

## DETAILS

The linear light *Liscio* series has been launched by IMPULSE LIGHTING to achieve different shape designs with easy and quick connection. Those products have re-defined user experience of linear light through modularity design and quick assembly & installation.

It breaks the idea which restricted traditional lighting fixtures and created complicated wiring of old version linear light fixtures. It has achieved "three quicks": quick assembly, quick connection (eliminates complicated wiring) and quick corner connection.





## DESCRIPTION :

The *Liscio* linear light quick connection series is based on concise style and user experience improvement.

Various concise yet fashionable designs can be accomplished quickly through the creative ideas of space lighting designs and free design styles while emphasizing “QUICK” installation. *Liscio* permits the designer to create much better lighting effects than traditional lighting fixtures by revealing the beauty of linear light.

## FEATURES :

- *Low glare version available upon request UGR<19 rated.*
- *End caps assembled by mechanical screws and magnet structure.*
- *Lighting CCT/color and CRI could be customized.*
- *Internal 3-in-1 dimming function.*
- *Conform to ETL standard.*
- *Easy assembly/disassembly, customers do not need to do complicated wiring, use male/female connectors to connect electric power and to do free connection to get comfortable user experience.*

Product	IL-L55570TL
Cover	Plain diffusion mask, UGR<19 (Low glare)
Length	1200mm (4ft), 2500mm (8ft)
Installation	Pendant/Recessed/Surface mounted/Wall mounted
Profile Color	Silver/White/Black
CCT (K)	3000K, 3500K, 4000K, 5000K, 6000K±300
Lumen (lm)	3150 lm (4ft), 6200 lm (8ft)
Beam Angle (°)	95° (Plain diffusion mask), 65° (UGR<19 (Low glare))
CRI (Ra)	≥80
Lumen/watt (lm/w)	110±10%
Power Factor	>0.9
Imax (cd)	1300 (4ft), 1900 (8ft)
Voltage (V)	AC100-277V 50/60Hz
Input Current (A)	0.1~0.29, 0.22~0.57
Watt (w)	29W (4ft), 57W (8ft)
Using Ambient Temp	Tamin=-20°C,Tamax=45°C

## MOUNTING OPTIONS :



PENDANT



SURFACE

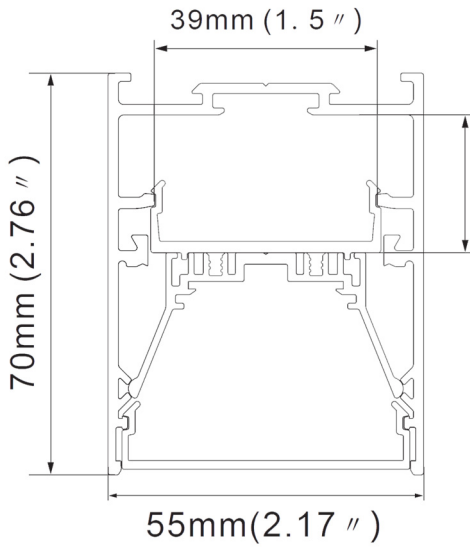


CEILING

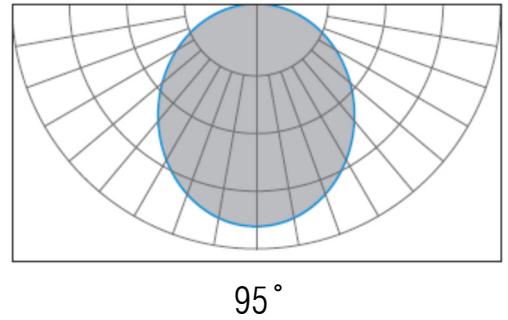


WALL

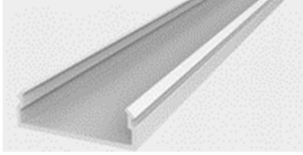
## DIMENSIONS :



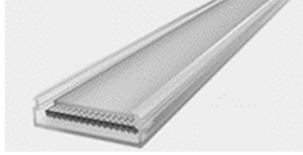
## COLOR OPTIONS :



## DIFFUSERS & END CAPS



PC cover W20-CV



UGR cover W20-UGR



End cap DE-2

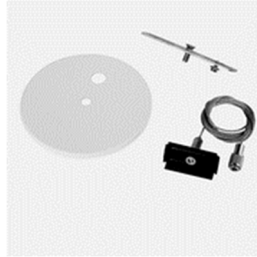
## PENDANT, RECESSED & WALL ACCESSORIES



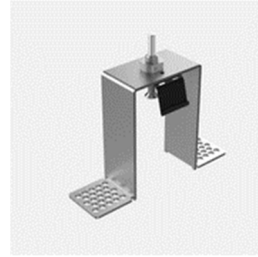
Pendant wire  
L-PT



Pendant wire with canopy  
L-PTB-NPF



Pendant wire with canopy  
L-PTB-PF



Recessed clip  
BI-2

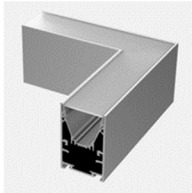


Wall mounted clip  
L457-WM

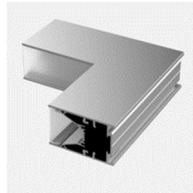
## CORNERS & CONNECTORS



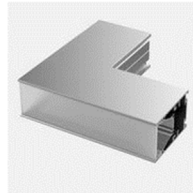
Straight connector  
L45-180



Horizontal corner  
connector L90-2



Inside corner  
connector L90N-2



Outside corner  
connector L90W-2



T shape connector  
T90-2



X shape connector  
X90-2

## Ordering information:

IL-L55570TL-1-1-1-1-0-1-(1, 4, 5)-1

Series	Mounting	Wattage (Length)	CCT (K)	Voltage	Battery & Emergency Back-Up	Cover	Accessories	Finish
IL-L55570TL	1 = Pendant 2 = Recessed 3 = Surface 4 = Wall	1 = 29W (4ft) 2 = 57W (8ft) 3 = Custom	1 = 3000K 2 = 3500K 3 = 4000K 4 = 5000K 5 = 6000K	1 = 120V 2 = 277V	0 = None 1 = 60 Mins 2 = 90 Mins	1 = Plain diffusion 2 = UGR<19	1 = DE-2 2 = L-PT 3 = L-PTB 4 = L-PTB-NPF 5 = L-PTB-PF 6 = BI-2 7 = L457-WM 8 = L45-180 9 = L90-2 10 = L90N-2 11 = L90W-2 12 = T90-2 13 = X90-2	1 = Silver 2 = White 3 = Black