

IL-L55580DTL

Trimless Version

Continuous Clean Lines and Clean Light

Architectural Linear LED Fixture



Unlimited Design Possibilities

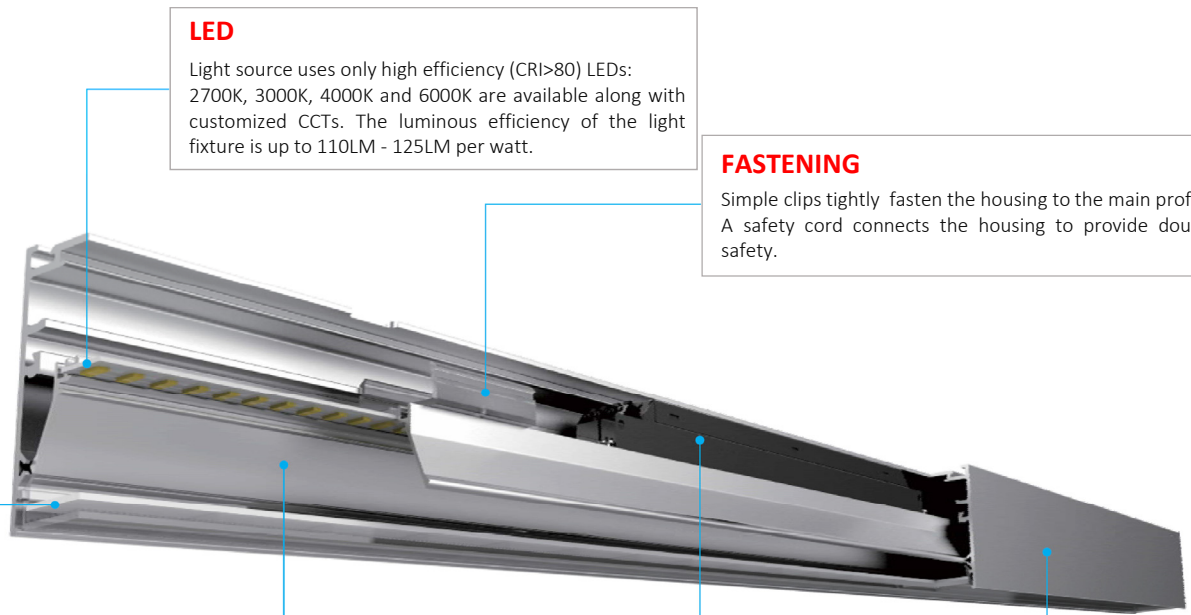


IL-L55578DTL

DETAILS

The linear light *Liscio* series has been launched by IMPULSE LIGHTING to achieve different shape designs with easy and quick connection. Those products have re-defined user experience of linear light through modularity design and quick assembly & installation.

It breaks the idea which restricted traditional lighting fixtures and created complicated wiring of old version linear light fixtures. It has achieved "three quicks": quick assembly, quick connection (eliminates complicated wiring) and quick corner connection.



LED

Light source uses only high efficiency (CRI>80) LEDs: 2700K, 3000K, 4000K and 6000K are available along with customized CCTs. The luminous efficiency of the light fixture is up to 110LM - 125LM per watt.

FASTENING

Simple clips tightly fasten the housing to the main profile. A safety cord connects the housing to provide double safety.

COVER

A standard PC cover or a UGR cover to reduce the glare is available.

REFLECTOR

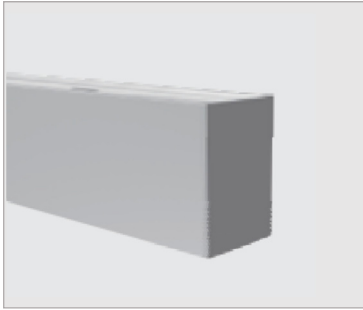
The high reflective coating layer provides a higher lighting efficiency and a more even distribution of light.

DRIVER

Internal 3-in-1 dimmable function, much easier for different applications.

ALUMINIUM FRAME

Modular design provides easier and faster installation experience with the option for pendant, recessed or surface mount.



DESCRIPTION :

The *Liscio* linear light quick connection series is based on concise style and user experience improvement.

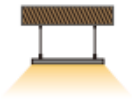
Various concise yet fashionable designs can be accomplished quickly through the creative ideas of space lighting designs and free design styles while emphasizing “QUICK” installation. *Liscio* permits the designer to create much better lighting effects than traditional lighting fixtures by revealing the beauty of linear light.

FEATURES :

- *Low glare version available upon request UGR<19 rated.*
- *End caps assembled by mechanical screws and magnet structure.*
- *Lighting CCT/color and CRI could be customized.*
- *Internal 3-in-1 dimming function.*
- *Conform to ETL standard.*
- *Easy assembly/disassembly, customers do not need to do complicated wiring, use male/female connectors to connect electric power and to do free connection to get comfortable user experience.*

Product	IL-L55580DTL
Cover	Plain diffusion mask, UGR<19 (Low glare)
Length	1200mm (4ft), 2500mm (8ft), Custom Length
Installation	Pendant/Wall
Profile Color	Silver/White/Black/Custom
CCT (K)	3000K, 3500K, 4000K, 5000K, 6000K±300
Lumen (lm)	4500 lm (4ft), 9000 lm (8ft), Up 445lm/ft Down 670lm/ft
Beam Angle (°)	95° (Plain diffusion mask), 65° (UGR<19 (Low glare)
CRI (Ra)	≥80
Lumen/watt (lm/w)	110±10%
Power Factor	>0.9
Voltage (V)	AC100-277V 50/60Hz
Input Current (A)	0.1~0.29, 0.22~0.57
Watt (w)	44W (4ft), 88W (8ft)
Using Ambient Temp	Tamin=-20°C, Tamax=45°C

MOUNTING OPTIONS :

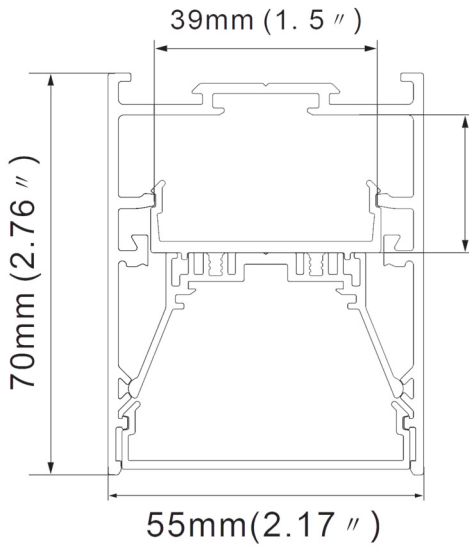


PENDANT

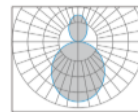


WALL

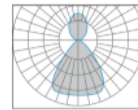
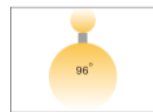
DIMENSIONS :



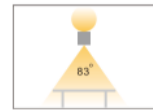
COLOR OPTIONS :



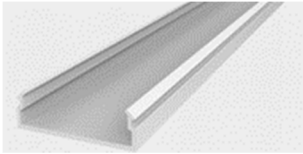
PDM



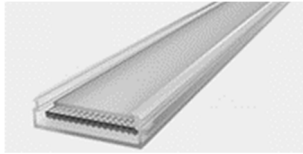
UGR < 19



DIFFUSERS & END CAPS



PC cover W20-CV



UGR cover W20-UGR



End cap DE-2

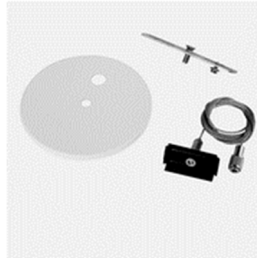
PENDANT & WALL ACCESSORIES



Pendant wire
L-PT



Pendant wire with canopy
L-PTB-NPF



Pendant wire with canopy
L-PTB-PF



Wall mounted clip
L457-WM

Ordering information:

IL-L55580DTL-1-1-1-1-0-1-(1, 4, 5)-1

Series	Mounting	Wattage (Length)	CCT (K)	Voltage	Battery & Emergency Back-Up	Cover	Accessories	Finish
IL-L55580DTL	1 = Pendant 4 = Wall	1 = 44W (4ft) 2 = 88W (8ft) 3 = Custom	1 = 3000K 2 = 3500K 3 = 4000K 4 = 5000K 5 = 6000K	1 = 120V 2 = 277V	0 = None 1 = 60 Mins 2 = 90 Mins	1 = Plain diffusion 2 = UGR<19	1 = DE-2 2 = L-PT 3 = L-PTB 4 = L-PTB-NPF 5 = L-PTB-PF 6 = L457-WM	1 = Silver 2 = White 3 = Black